

VPM 900-1200-1500 1/X

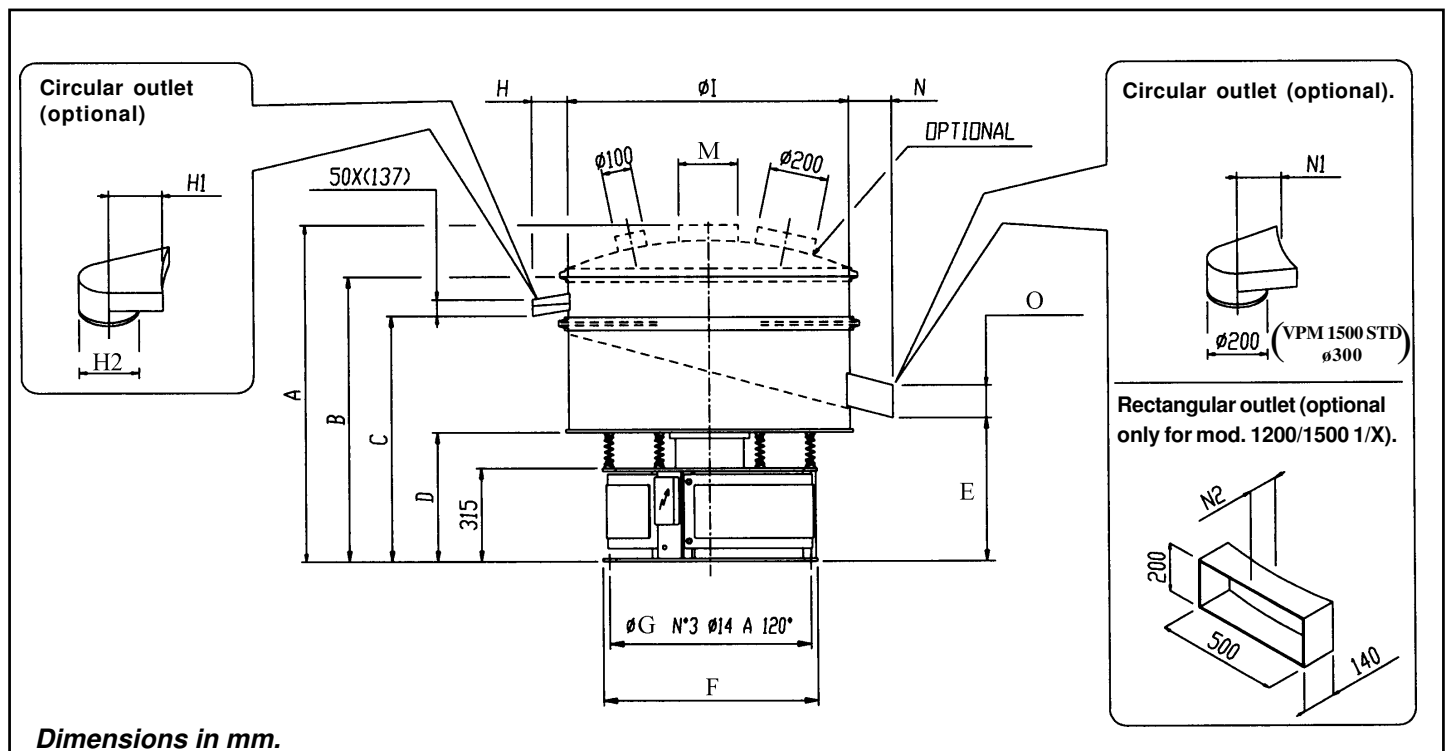
POWDER SCREENING



TECHNICAL FEATURES	VPM 900 1/X	VPM 1200 1/X	VPM 1500 1/X
Electrical power (kW)	0,73	1,25	1,5
Centrifugal force (kg)	850	1300	2150
Sieving decks	1	1	1
Mesh surface (m ²)	0,587	0,932	1,575
Weight (kg)	200	240	400

CONSTRUCTION FEATURES

- Clamping system by rings
- All parts in contact with the product are made of AISI 304 stainless steel
- Base made of ABS
- Discharge outlet with sloped bottom
- Electrical motovibrator, IP 65 insulation



Dimensions in mm.

MODELS	A	B	C	D	E	F	G	H	H1	H2	I	M	N	N1	N2	O
VPM 900 1/X	1125	955	825	435	480	725	680	120	140	160	950	200	145	175	---	110x260
VPM 1200 1/X	1258	1035	875	485	558	725	680	120	140	160	1160	200	145	175	83	110x260
VPM 1500 1/X	1300	1130	977	488	480	915	870	120	175	200	1502	300	---	175	83	---

MAIN ACCESSORIES

- Cover with suction and inspection holes
- Automatic mesh cleaning system

APPLICATIONS

- Powder screening

ADVANTAGES

- High efficiency due to high centrifugal force applied
- Precise screening thanks to square-mesh nets
- Fast waste discharge
- High reliability thanks to its resistant structure
- Low noise
- New motovibrator with 2-year warranty

The data here indicated are purely indicative and can be modified by Cuccolini without any notice.

Precise values are communicated upon request.

Any unauthorized copy of this document will be legally pursued.

CUCCOLINI®

Cuccolini srl - Sede amm.va e stabilimento: via Raffaello Sanzio, 2 - 42100 REGGIO EMILIA - Italy.
Tel. ++ 39 0522 92.20.00 - Fax ++ 39 0522 92.10.93 - E.MAIL sales@cuccolini.it - Web site-www.cuccolini.it

VPM 900-1200-1500 2/X

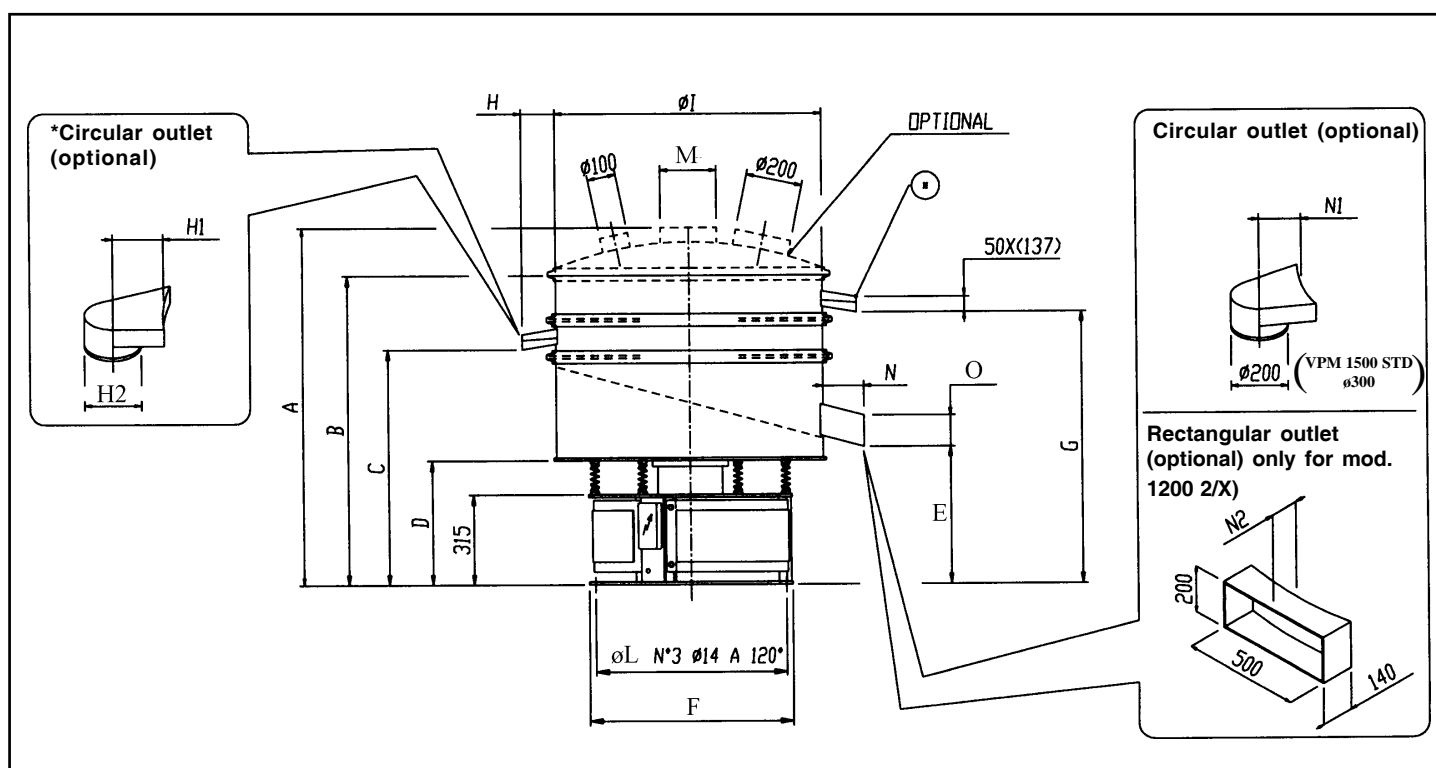
POWDER SCREENING



TECHNICAL FEATURES	VPM 900 2/X	VPM 1200 2/X	VPM 1500 2/X
Electrical power (kW)	0,73	1,25	1,5
Centrifugal force (kg)	850	1300	2150
Sieving decks	2	2	2
Mesh surface (m ²)	0,587+0,587	0,932+0,932	1,575+1,575
Weight (kg)	230	280	470

CONSTRUCTION FEATURES

- Clamping system by rings
- All parts in contact with the product are made of AISI 304 stainless steel
- Base made of ABS
- Discharge outlet with sloped bottom
- Electrical motovibrator, IP 65 insulation



Dimensions in mm.

MODELS	A	B	C	D	E	F	G	H	H1	H2	I	L	M	N	N1	N2	O
VPM 900 2/X	1285	1115	825	435	480	725	985	120	140	160	950	680	200	145	175	---	110x260
VPM 1200 2/X	1448	1225	875	485	558	725	1065	120	140	160	1160	680	200	145	175	83	110x260
VPM 1500 2/X	1461	1284	977	488	476	915	1135	120	175	200	1502	870	300	---	175	83	---

MAIN ACCESSORIES

- Cover with suction and inspection holes
- Automatic mesh cleaning system

APPLICATIONS

- Powder screening

ADVANTAGES

- High efficiency due to high centrifugal force applied
- Precise screening thanks to square-mesh nets
- Fast waste discharge
- High reliability thanks to its resistant structure
- Low noise
- New motovibrator with 2-year warranty

The data here indicated are purely indicative and can be modified by Cuccolini without any notice.

Precise values are communicated upon request.

Any unauthorized copy of this document will be legally pursued.

VPM 900-1200-1500 3/X

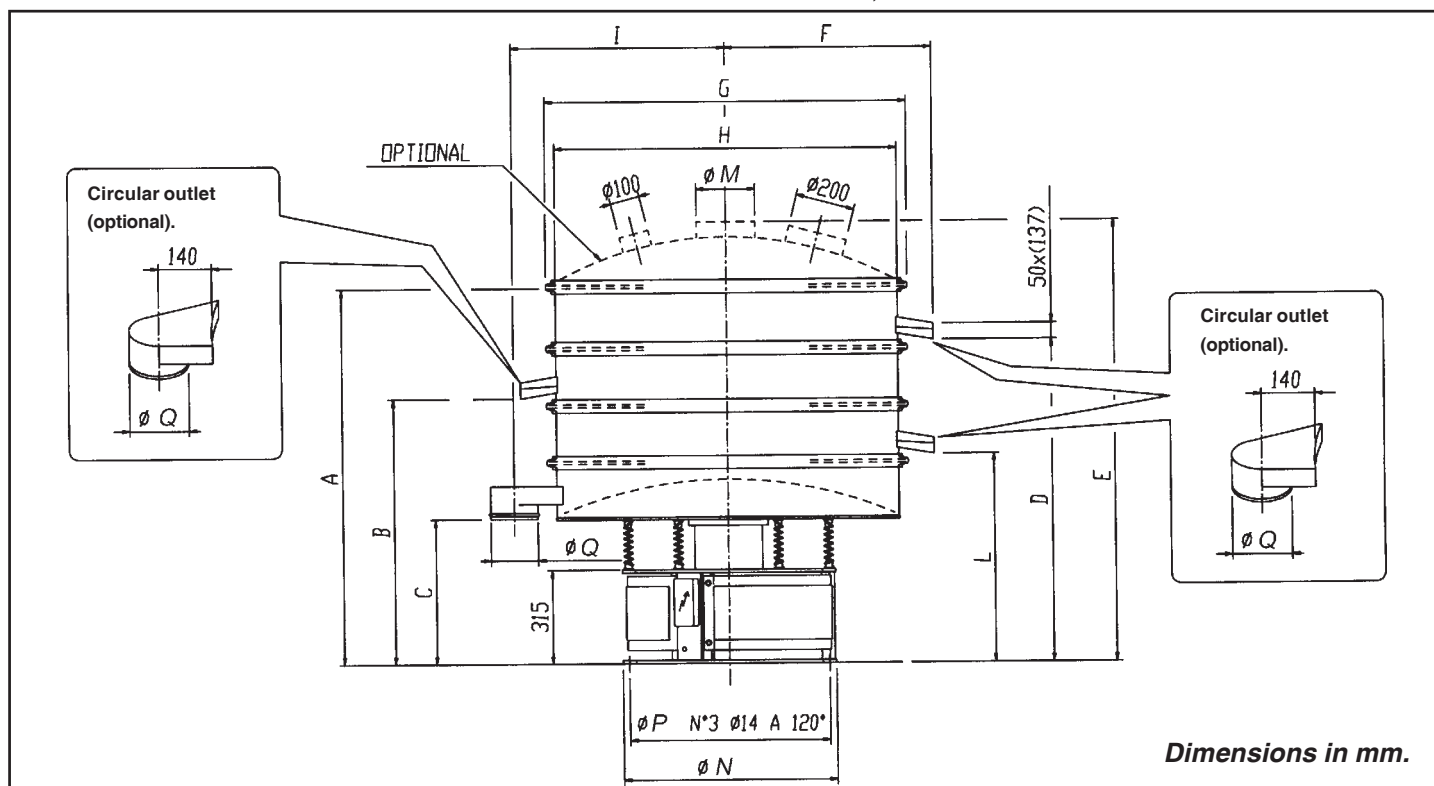
POWDER SCREENING



TECHNICAL FEATURES	VPM 900 3/X	VPM 1200 3/X	VPM 1500 3/X
Electrical power (kW)	0,73	1,25	1,5
Centrifugal force (kg)	850	1300	2150
Sieving decks	3	3	3
Mesh surface (m ²)	0,587 + 0,587 + 0,587	0,932 + 0,932 + 0,932	1,575 + 1,575 + 1,575
Weight (kg)	255	300	500

CONSTRUCTION FEATURES

- Clamping system by rings
- All parts in contact with the product are made of AISI 304 stainless steel
- Base made of ABS
- Discharge outlet with sloped bottom
- Electrical motovibrator, IP 65 insulation



MODELS	A	B	C	D	E	F	G	H	I	L	M	N	P	Q
VPM 900 3/X	1083	763	433	893	1253	595	1010	950	595	633	200	725	680	160
VPM 1200 3/X	1260	893	489	1083	1480	700	1220	1160	725	703	200	725	680	160
VPM 1500 3/X	1445	1135	476	1293	1619	1026	1552	1504	1026	977	300	915	870	200

MAIN ACCESSORIES

- Conveyer with suction and inspection holes
- Automatic mesh cleaning system

APPLICATIONS

- Powder screening

ADVANTAGES

- High efficiency due to high centrifugal force applied
- Precise screening thanks to square-mesh nets
- Fast waste discharge
- High reliability thanks to its resistant structure
- Low noise
- New motovibrator with 2-year warranty

The data here indicated are purely indicative and can be modified by Cuccolini without any notice.

Precise values are communicated upon request.

Any unauthorized copy of this document will be legally pursued.

